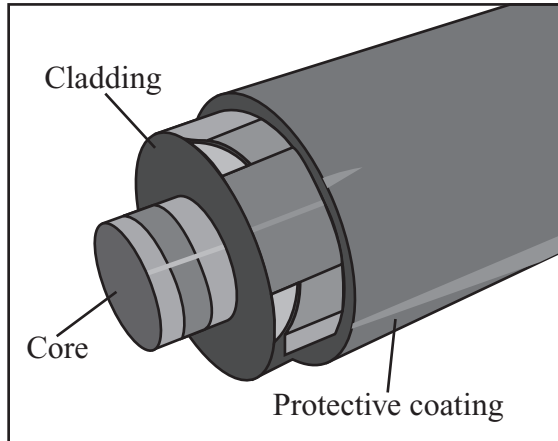


The illustration below shows three major components of a fiberoptic cable.



- a. Describe the function of the core **and** the function of the cladding.

In recent years, fiberoptic cable has been replacing copper wire as a means of transmitting communication signals.

- b. Describe the difference between the signals that are transmitted by fiberoptic cable and those transmitted by copper wire.

The core in a fiberoptic cable can be made of plastic or glass.

- c. Identify **two** advantages of using plastic instead of glass in a fiberoptic cable.