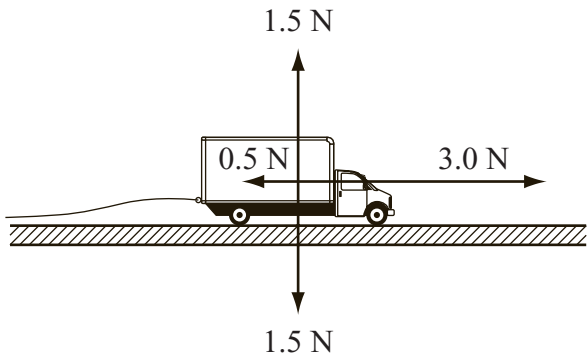


17

A toy truck powered by a battery is accelerating to the right. A string with negligible mass is attached to the truck. The diagram below shows the forces acting on the truck.



If a child pulls the string to the left, what force must the child exert to make the toy truck move to the right at a constant velocity?

- A. 1.0 N
- B. 1.5 N
- C. 2.5 N
- D. 6.0 N